

# LULU eSET Touchfree Basin mixer without pop-up waste with temperature setting - Chrome

LULU

ST 010 202 0710



- 200mm projection
- fixed spout
- circular, air-enriched flow
- hole diameter 40 mm
- 1/2" connection
- plug-link mounting
- max. flow 7 l/min
- lead-free
- automatic hygiene flush
- suitable for thermal disinfection
- adjustable follow-up time
- high-frequency sensors with self-calibration
- magnetic valve
- temperature setting via thermostat
- 100-240 V AC / 12 V DC, 50-60 Hz, 18 W power supply unit, incl. country-specific adapter set
- This product can help a building meet the requirements of Green Building Rating Systems, e.g. LEED®, BREEAM®, DGNB

## Individual components of this set

You need the following components for this set



1x

42 765 970 90



1x

13 800 710-00



LULU eSET Touchfree Basin mixer without pop-up waste with temperature setting - Chrome

---

LULU

ST 010 202 0710

**LULU eSET Touchfree Basin mixer without pop-up waste with temperature setting - Chrome**

LULU

ST 010 202 0710



Fits: IMO, LULU, MADISON, MEM, TARA, CL.1, LISSÉ, VAIA, META, CYO

- automatic hygiene flush
  - suitable for thermal disinfection
  - adjustable follow-up time
  - high-frequency sensors with self-calibration
  - magnetic valve
  - temperature setting via thermostat
  - 100-240 V AC / 12 V DC, 50-60 Hz, 18 W power supply unit, incl. country-specific adapter set
- Cannot be combined with basins in conducting materials (e.g. steel, river stone).  
Cannot be combined with basins that have a closing drain.**
- ATTENTION: Separate terms and conditions for electronic articles are applicable.**

Cannot be combined with basins in conducting materials (e.g. steel, river stone).

Cannot be combined with basins that have a closing drain.

ATTENTION: Separate terms and conditions for electronic articles are applicable.

**Required miscellaneous**



**eSET Touchfree Basin mixer with temperature setting for combining with wall-mounted fittings -** 35 741 970 90

- max. recess depth 125 mm
- min. recess depth 90 mm

**Required miscellaneous**



**eSET Touchfree Basin mixer with temperature setting for combining with free-standing fittings -** 35 740 970 90

**Recommended miscellaneous**

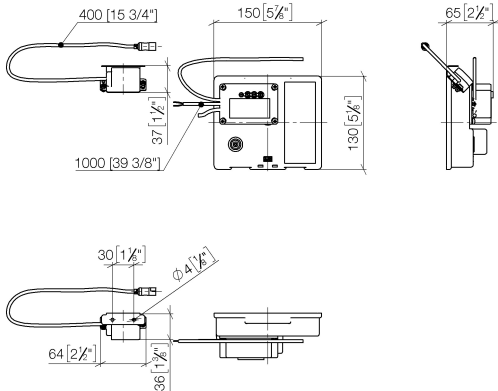
**Extension for Touchfree 500 mm -** 12 765 970 90



**LULU eSET Touchfree Basin mixer without pop-up waste with temperature setting - Chrome**

LULU

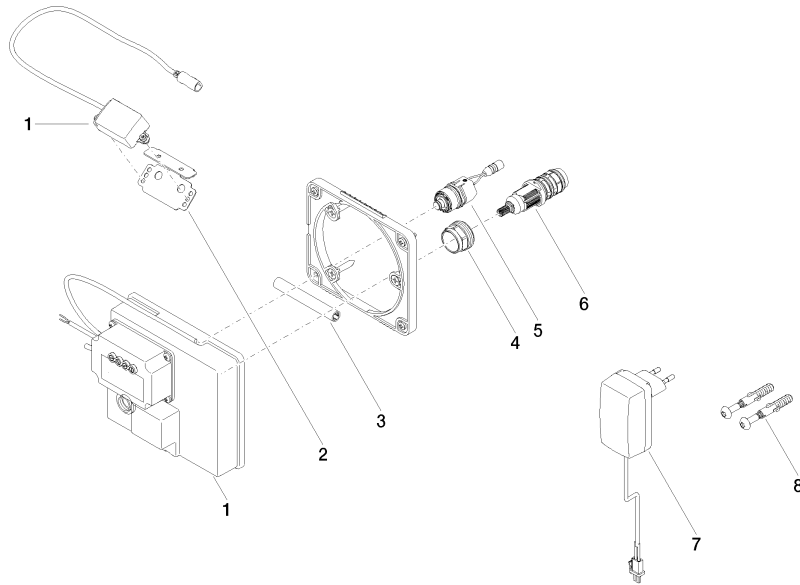
ST 010 202 0710  
mm [inches]



**Certificates**

LGA_29120.	WRAS_1906116.	IAPMO_EGS.	CE000001_eSet_Tou chfree_20171206_D E_signed.	CE000002_eSet_Tou chfree_20171206_E N_signed.
LGA_29119.				

ST 010 202 0710



**Spare parts list**

No.	Item Number	Name	Quantity used	Delivery time
1	90 10 01 177 00 90	electronic accessories	1	2
2	90 17 20 199 00 90	holder	1	2
3	90 23 01 124 00 90	sleeve	1	2
4	09 23 10 129 90	nut	1	2
5	04 30 50 079 00 90	valve	1	2
6	90 15 02 013 00 90	cartridge	1	2
7	04 10 01 246 00 90	electronic accessories	1	2
8	04 30 31 024 01 90	fixing set	1	2

**LULU eSET Touchfree Basin mixer without pop-up waste with temperature setting - Chrome**

ST 010 202 0710



- 200mm projection
- fixed spout
- circular, air-enriched flow
- hole diameter 40 mm
- 1/2" connection
- plug-link mounting
- max. flow 7 l/min
- lead-free
- This product can help a building meet the requirements of Green Building Rating Systems, e.g. LEED®, BREEAM®, DGNB

For Touchfree control please order eSet Touchfree WITH or WITHOUT temperature adjustment

**Recommended miscellaneous**



**Concealed wall elbow -**

35 085 970 90

- max. recess depth 163 mm
- min. recess depth 90 mm



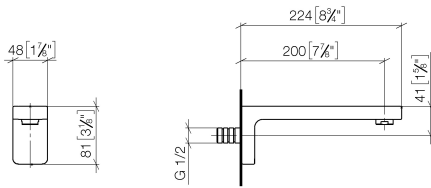
LULU eSET Touchfree Basin mixer without pop-up waste with temperature setting - Chrome

---

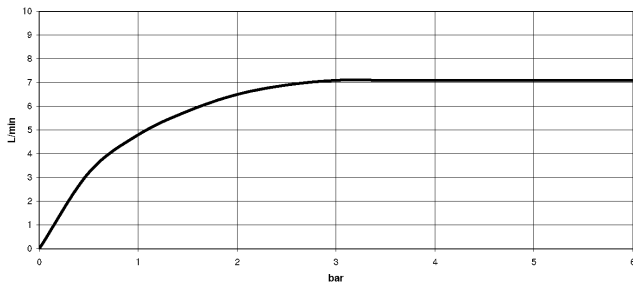
LULU

ST 010 202 0710

ST 010 202 0710  
mm [inches]



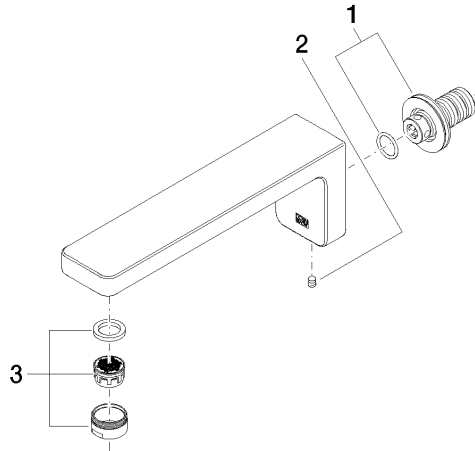
**Flow rate chart**



**Certificates**

WRAS\_1906062. LGA\_29119.





### Spare parts list

No.	Item Number	Name	Quantity used	Delivery time
1	90 24 03 108 00 90	nipple set	1	2
2	90 31 11 004 00 90	pin	1	2
3	90 23 01 118 01-00	aerator	1	10